

<Insert Company Logo Here>

Company Details (if applicable)

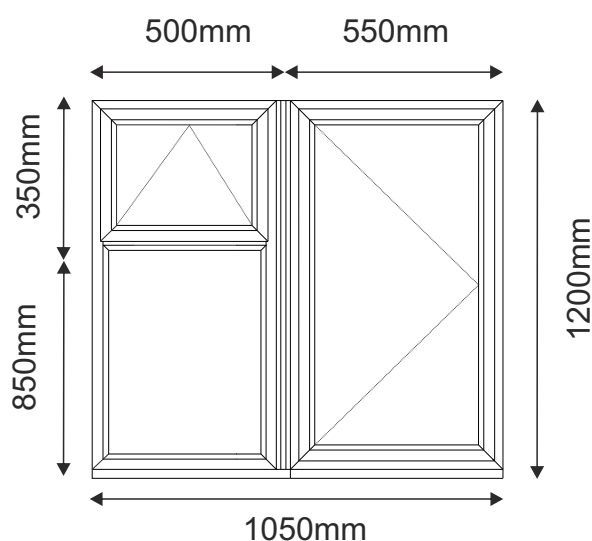
Company Name
First Line Address,
Second Line Address,
Town,
County.
Post Code

Vat Reg.
Comapny Reg.

t: telephone number
f: fax number
e: email address
w: web address if applicable

Window Schedule

Kitchen Window 1



Window System: Premium Windows

Frame: Standard Direct Fix, RAL7016 Dark Grey

Vents: Internally Glazed Feature Vent,
RAL7016 Dark Grey.

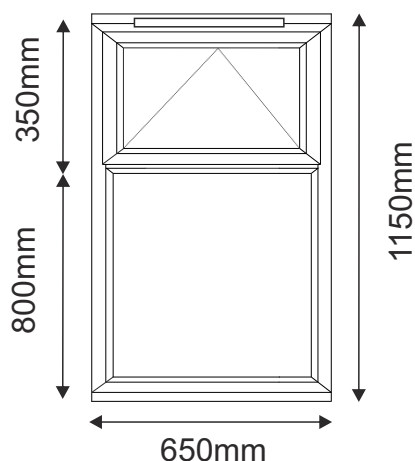
Glazing: Clear, Self Cleaning

Hardware: Standard Espag handles, Chrome.
Shootbolt locking

Notes: Requires 150mm projection cill

Special Instructions: Need to achieve a WER A
and overall U-value of 1.5

Bathroom Window 1



Window System: Premium Windows

Frame: Standard Direct Fix, RAL7016 Dark Grey

Vents: Internally Glazed Feature Vent, RAL7016 Dark Grey

Glazing: Cotswold Obscure Glass

Hardware: Standard Espag handles, Chrome.
Shootbolt locking

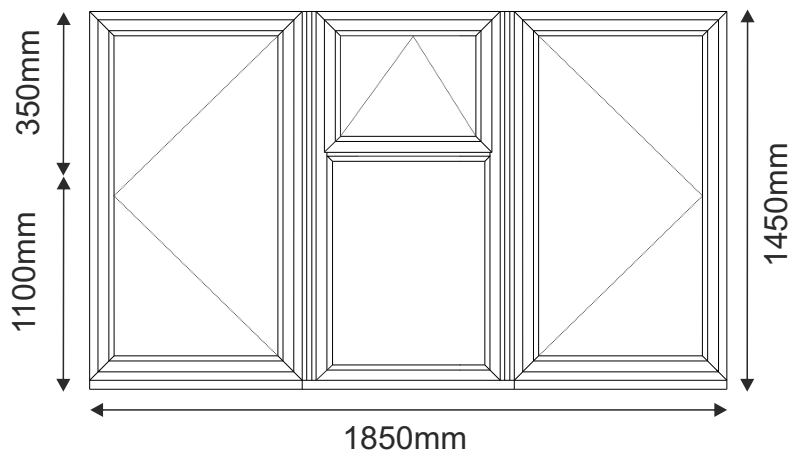
Notes: Requires 150mm projection cill and trickle vents.

Special Instructions: Need to achieve a WER A and an
overall U-value of 1.5

<Insert Company Logo Here>

Window Schedule

Front Room Window 1



Window System: Premium Windows

Frame: Standard Direct Fix, RAL7016 Dark Grey.

Vents: Internally Glazed Feature Vent, RAL7016 Dark Grey

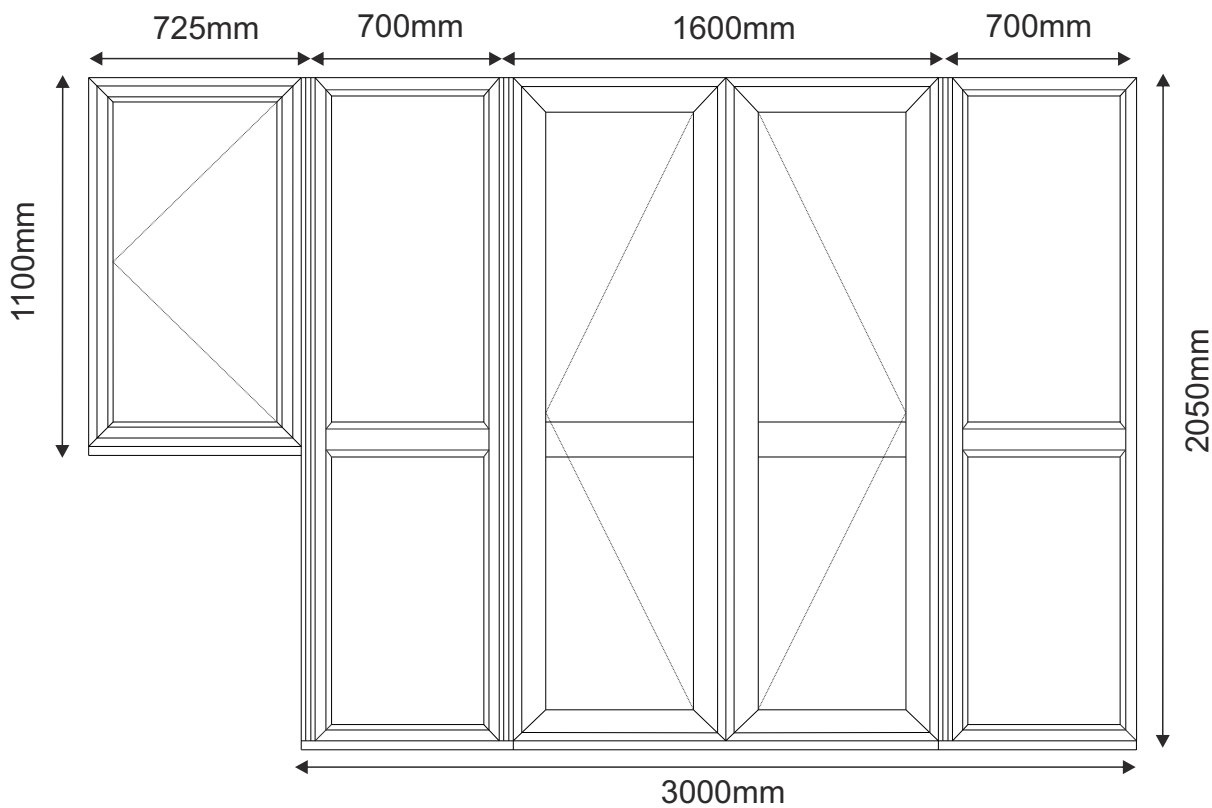
Glazing: Clear, Self Cleaning Glass

Hardware: Standard Espag handles, Chrome. Shootbolt locking

Notes: Requires 150mm projection cill.

Special Instructions: Need to achieve a WERA and overall U-value of 1.5

Kitchen Back Door & Side Lites



Window System: Premium Windows

Door System: Premium Doors